

# RVL28NS

## Low-Profile Roof Vent

# Technical Data Sheet

### FEATURES & BENEFITS

- Enhances aesthetics with low profile that blends in with roof.
- Maximize inventory turns with single hood size and separate 4 to 8 inch easy snap-in adapters.
- Excellent for areas with high wind.
- Eliminates leaky joints and maximizes water protection with one-piece, molded hood.
- Oversized flange ensures watertight installation.
- Long lasting durability with UV-protected, impact resistant polymer resin.
- Intake/exhaust conversion via removable damper.

### PRODUCT DIMENSIONS

HOOD SIZE: H: 10" / W: 10.6" / D: 4.6"

### COLOURS

- Black (25)
- Light Grey (31)
- Dark Grey (28)
- Tan (45)
- Dark Brown (68)

### APPLICATIONS

- Dryer Venting

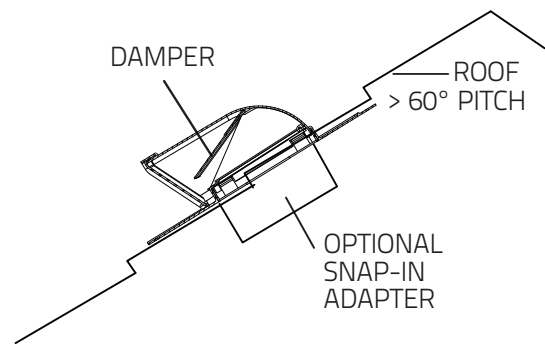
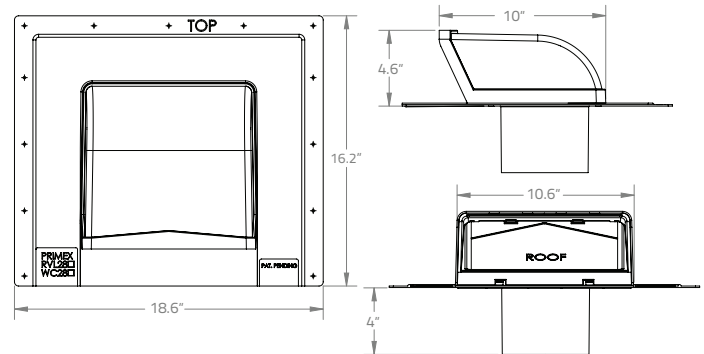
### PART NUMBER/SIZING

Part #	Size	Free Area	Description	Pkg
RVL28NS	7.5" x 7.25" x 9.38"	40.3 sq. in.	w/o screen	6/box

### ADAPTER

RV28-4	4" Dia.	12.6 sq. in.	4" Adapter	30/box
RV28-5	5" Dia.	19.6 sq. in.	5" Adapter	30/box
RV28-6	6" Dia.	27.8 sq. in.	28.3 NS 6" Adapter	25/box
RV28-7	7" Dia.	27.8 sq. in.	38.5 NS 7" Adapter	25/box
RV28-8	8" Dia.	27.8 sq. in.	40.3 NS 8" Adapter	18/box

### TECHNICAL DRAWING



RVL28 - LOW PROFILE VENT