

PRIMEX HVAC VENTING

Product Specification Sheet

PRODUCT
MODEL CODE

RV28
Goose-Neck Roof Vent

1. PRODUCT SUMMARY

The Primex Goose-Neck Roof Vent (RV28) is built for the through-roof exhaust of dryers, bathroom and kitchen fans, stove vents, and intake for furnaces, fresh air make-up, and attic venting.

This patented, durable, watertight roof vent is easily installed and adapted to fit 4, 5, 6, 7 or 8-inch ducting (with optional adapter) for a perfect fit every time.

2. PRODUCT DIMENSIONS

HOOD SIZE: H: 15.7" / W: 15.3" / D: 9.5"

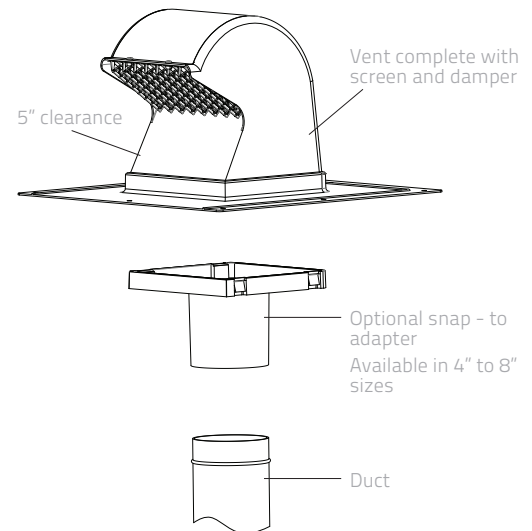
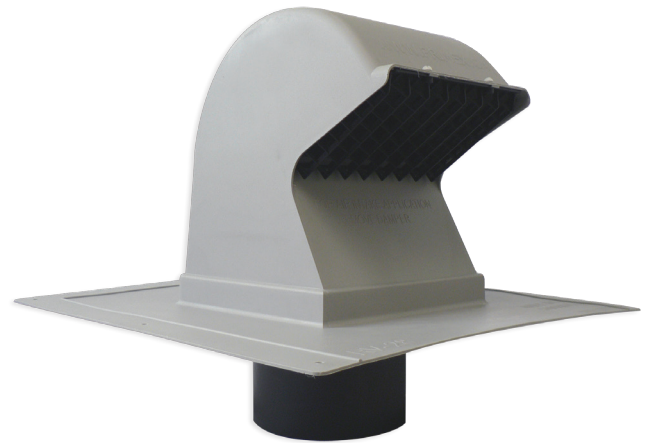
3. FEATURES & BENEFITS

- Provides all-weather ventilation with 5" of additional height for snow clearance.
- Maximize inventories turns with single hood size and separate 4 to 8-inch easy snap-in adapters.
- Patented design eliminates leaky joints and maximizes water protection with one-piece, molded hood.
- Ensures watertight installation with over-sized flange.
- Resists damage from sun and hail with UV-protected, impact resistant polymer resin.
- Simple intake/exhaust conversion via removable damper.

NOTE: For dryer applications use 'no screen' (NS) model.

4. COLOURS

- Black (25)
- Dark Brown (68)
- Dark Grey (28)
- Light Grey (31)
- Tan (45)



FOR MORE INFORMATION CONTACT:

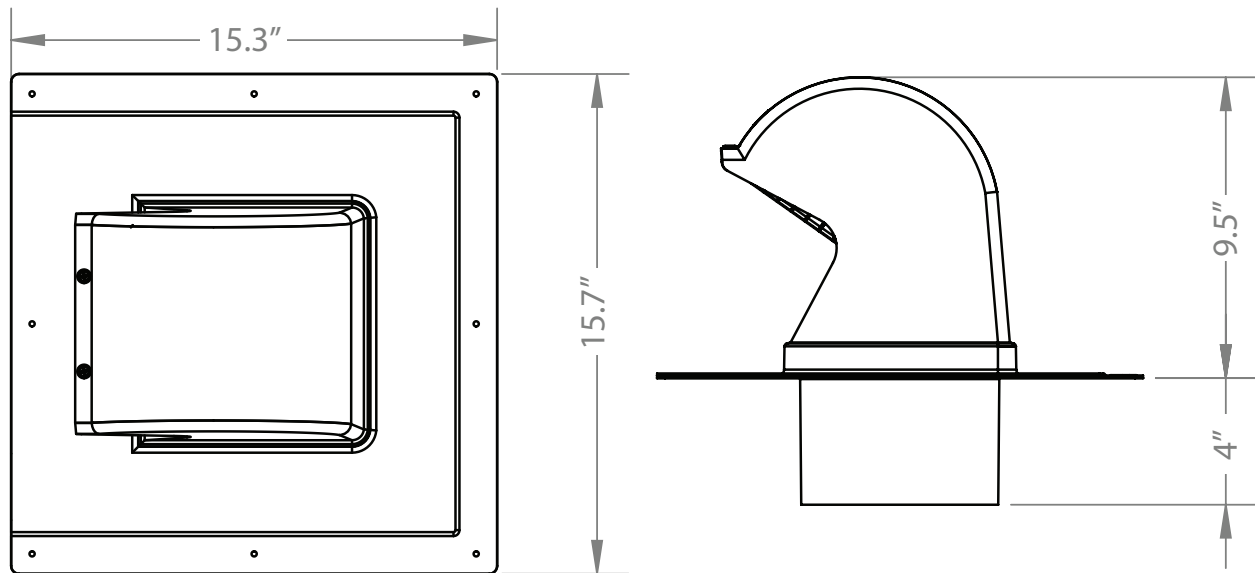
20160 92A Avenue Langley BC V1M 3A4 Canada
📞 1.877.881.7875 📧 info@primexfits.com primexfits.com

primex  **Fit everything. Together.**

5. SIZING/PART NUMBER

GOOSE-NECK ROOF VENT				
PART NUMBER	SIZE	FREE AREA	DESCRIPTION	PKG
RV28	7" x 7" x 9.38"	26.5 sq. in.	Exhaust vent with screen	5/box
RV28NS	7" x 7" x 9.38"	31.8 sq. in.	Exhaust vent without screen	5/box
ADAPTER				
PART NUMBER	SIZE	FREE AREA	DESCRIPTION	PKG
RV28-4	4" diameter	12.6 sq. in.	Duct adapter: 4"	30/pkg
RV28-5	5" diameter	19.6 sq. in.	Duct adapter: 5"	30/pkg
RV28-6	6" diameter	26.5 sq. in. 28.3 NS	Duct adapter: 6"	25/pkg
RV28-7	7" diameter	26.5 sq. in. 31.8 NS	Duct adapter: 7"	25/pkg
RV28-8	8" diameter	26.5 sq. in. 31.8 NS	Duct adapter: 8"	18/pkg

6. TECHNICAL DRAWINGS



FOR MORE INFORMATION CONTACT:

20160 92A Avenue Langley BC V1M 3A4 Canada
 ☎ 1.877.881.7875 ✉ info@primexfits.com primexfits.com